

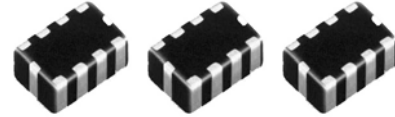
### ◆ Feature

- 1.SMD Type, 4 elements in one chip, 0805 size, suitable for high-density circuit design
- 2.Construction of dielectric and magnetic materials
- 3.EMI filtering--steep insertion loss characteristics and removes noise over a wide range
- 4.Small size and low profile
- 5.PI( $\pi$ ) type structure filter

### ◆ Application

- 1.For Cellular Phone, Digital AV equipment, Digital Camera, PDA, and MP3 Player
- 2.LCD module/display
- 3.Wireless handsets
- 4.Lap top computer, desk top computer

RoHS



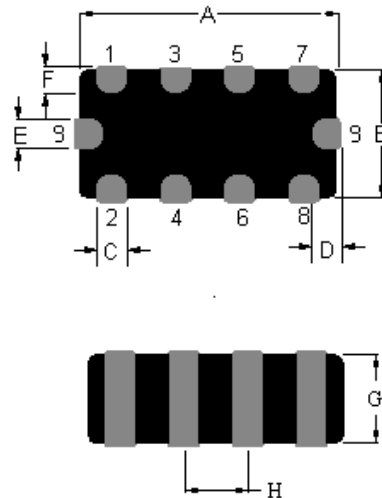
### ◆ How to Order

LFA   0805   P   101   P   3  
 (1)   (2)   (3)   (4)   (5)   (6)

- (1) Series Type
- (2) Size (inch): Length x Width (0805/EIA)
- (3) Type: P— PI ( $\pi$ )type
- (4) Cut-off frequency (MHz): XX x 10<sup>N</sup>,  
ex.: 100MHz= 10x 10<sup>1</sup> MHz → 101
- (5) Packaging : P – Embossed paper tape, 7" reel
- (6) Thickness : 2 – 0.55mm ; 3 – 0.80mm

### ◆ Dimension      Unit: mm

Size (EIA)	2012 (0805)
A	2.00±0.15
B	1.25±0.15
C	0.25±0.15
D	0.20±0.15
E	0.25±0.15
F	0.20±0.15
G	0.80±0.15
	0.55±0.10
H	0.50±0.15



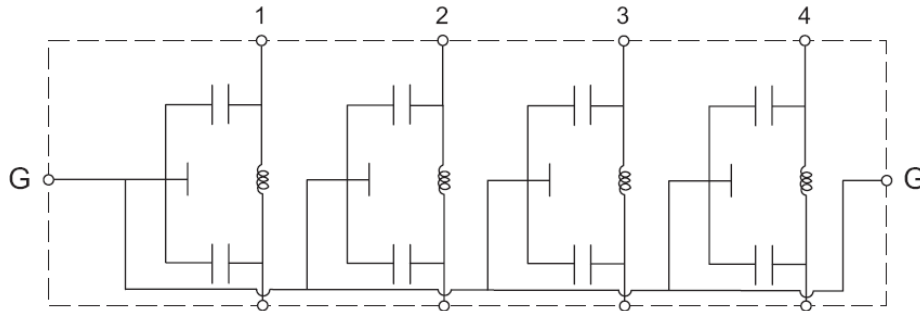
## ◆ Specification

### Electrical Property

Part Number	Cut-Off Frequency @-3dB Typical	Attenuation Typical	Capacitance@1MHz (Reference)	Rated Current	Rated Voltage	Insulation Resistance @3VDC (min)
LFA0805P101P3	100 MHz	-30dB 800~1900 MHz	55pF	250 mA	12V	100 MΩ
LFA0805P141P2	140 MHz	-25dB 900~2500 MHz	30pF			
LFA0805P201P3	200 MHz	-30dB 1800~2500 MHz	17pF			

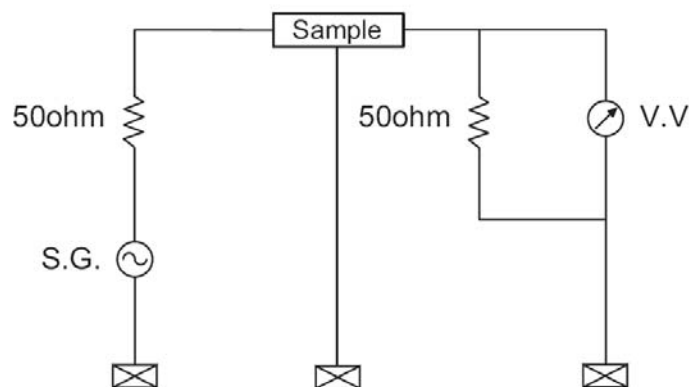
Operation Temperature: -25 ~ +85°C

### Schematic

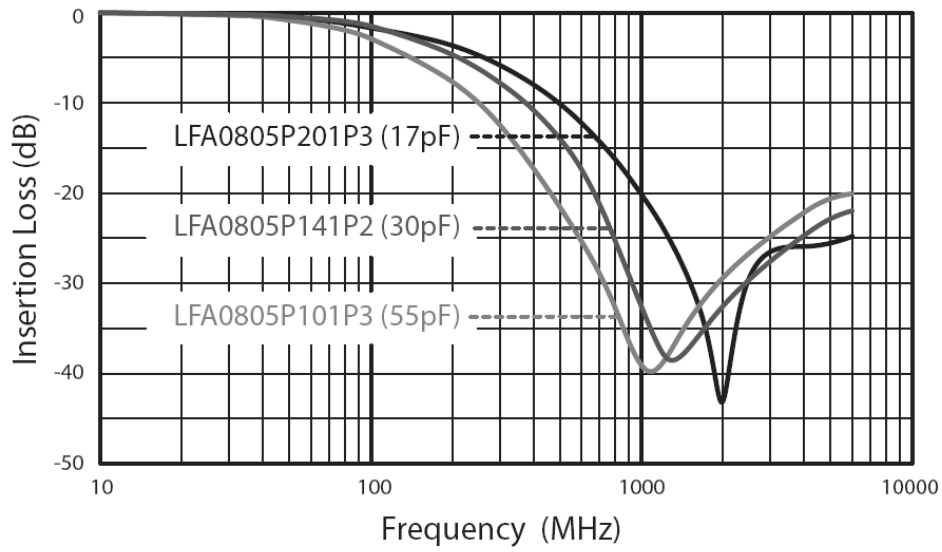


## ◆ Insertion Loss vs. Frequency Characteristic

### Measurement circuit



### Typical insertion loss



### ◆ Package

Size EIA (EIA)	2012 (0805)
Standard Packing Quantity (pcs / reel)	4,000